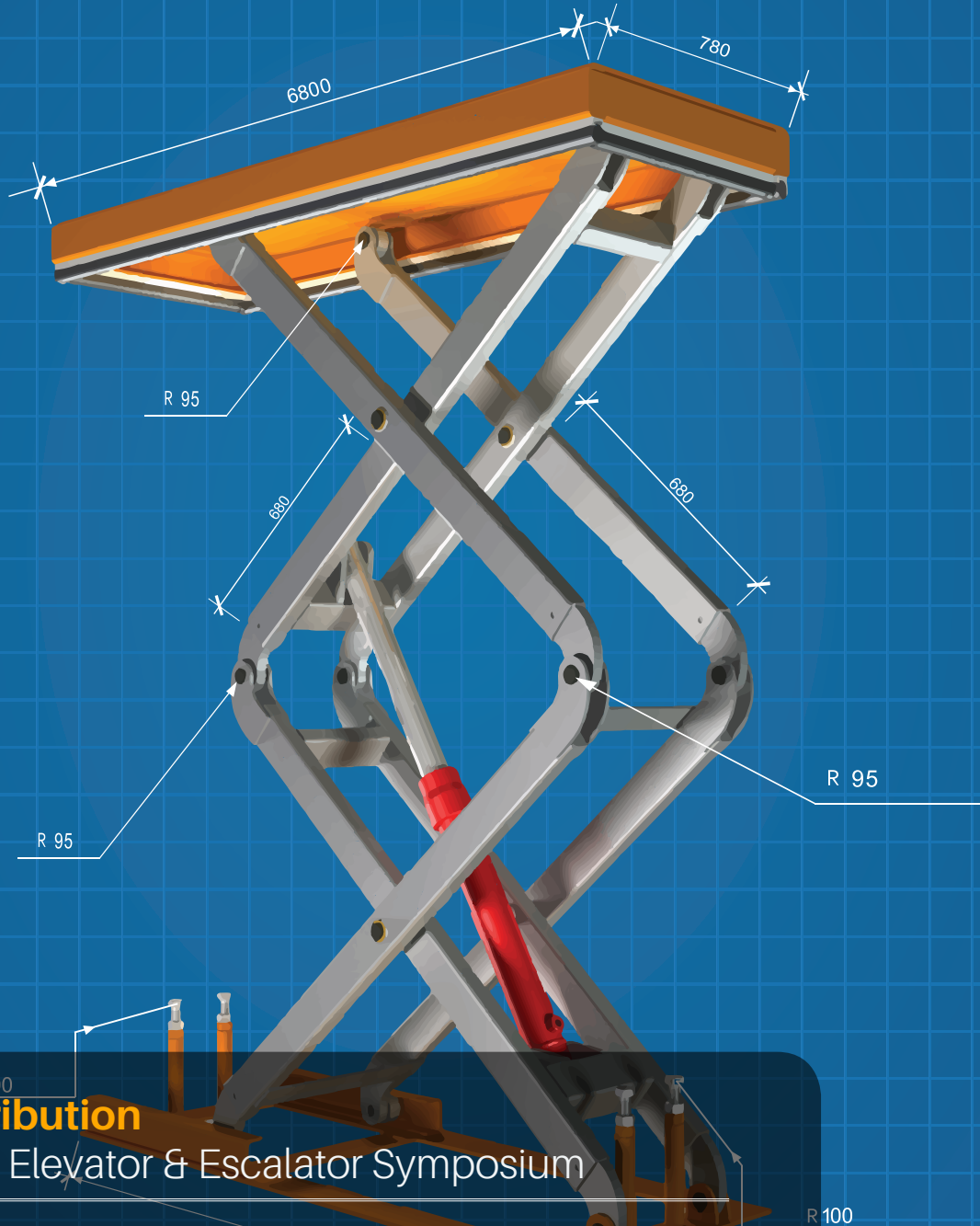


ELEVATOR WORLD NOVEMBER FOCUS TOPIC

SPECIAL APPLICATION LIFTS



Bonus Distribution

International Elevator & Escalator Symposium

To sponsor or advertise, contact:

Fred Wilkinson: +1.251.479.4514, Ext 17
Scott O. Brown: +1.251.479.4514, Ext 31
Email: advertising@elevatorworld.com
Advertising Deadline - **October 1, 2019**

To submit editorial, contact:

Angie Baldwin: +1.251.479.4514, Ext 30
Email: editorial@elevatorworld.com
Editorial Deadline - **September 16, 2019**